

SEG-(315-330) -6MB

SERIES 6 INCH 72 CELLS



Safety



Resistance to salt mist corrosion at your request



Resistance to ammonia corrosion at your request



Product is certified by UL1703

Reliability



Anti-PID products using advanced module technology



World 1st company to pass "Thresher Test" and "On-site Power Measurement Validation" certificate

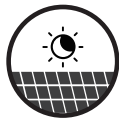


Bankable products

Performance



Withstand high system voltage up to 1500V to save BoS Cost

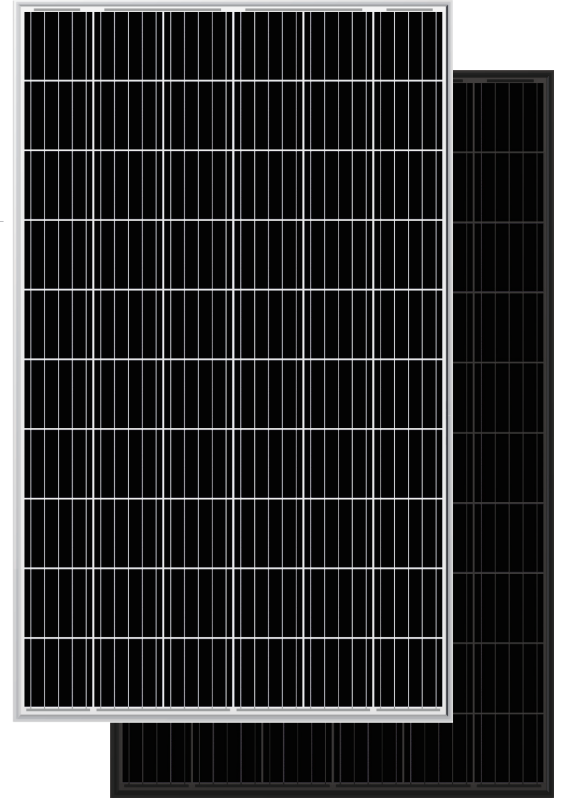


Outstanding power output capability at low irradiance

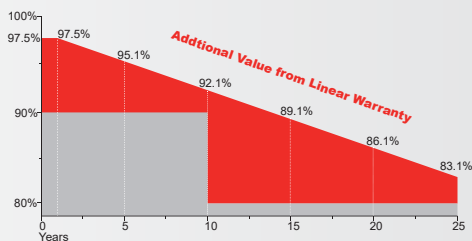


Withstand up to 2400Pa wind and 5400Pa snow loads(IEC), long lasting

315-330W PERC



WARRANTY



15
YEARS

Guarantee on product material and workmanship

25
YEARS

Linear power output warranty

MANAGEMENT SYSTEM

ISO 9001: Quality management system

ISO 14001: Standard for environmental management system

OHSAS 18001: International standard for occupational health and safety assessment system

PRODUCT CERTIFICATES



INSURANCE



SEG-(315-330)-6MB SERIES 6 INCH 72 CELLS



SRP-XXX-6MB: Maximum System Voltage 1000 VDC.

-HV SRP-XXX-6MB-HV: Maximum System Voltage 1500 VDC.

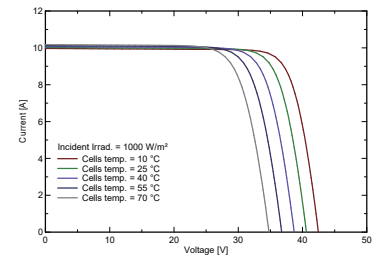
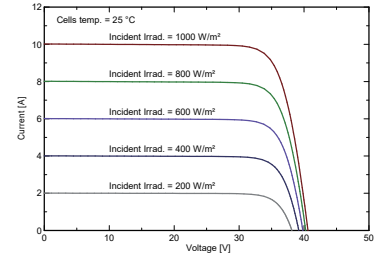
Electrical Characteristics

Module Type	SEG-315-6MB		SEG-320-6MB		SEG-325-6MB		SEG-330-6MB	
	STC	NOCT	STC	NOCT	STC	NOCT	STC	NOCT
Maximum Power $-P_{mp}$ (W)	315	234	320	238	325	242	330	246
Open Circuit Voltage $-V_{oc}$ (V)	40.4	37.3	40.6	37.5	40.8	37.7	41.1	38.0
Short Circuit Current $-I_{sc}$ (A)	9.92	8.05	10.02	8.14	10.11	8.21	10.19	8.27
Maximum Power Voltage $-V_{mp}$ (V)	32.8	30.9	33.0	31.2	33.2	31.4	33.5	31.7
Maximum Power Current $-I_{mp}$ (A)	9.61	7.58	9.70	7.64	9.79	7.70	9.86	7.77
Module Efficiency STC- η_m (%)	18.88		19.18		19.48		19.78	
Power Tolerance (W)	(0,+4.99)							
Maximum System Voltage (V)	1000VDC / 1500VDC							
Maximum Series Fuse Rating (A)	20A							
Pmax Temperature Coefficient	-0.36 %/°C							
Voc Temperature Coefficient	-0.28 %/°C							
Isc Temperature Coefficient	+0.05 %/°C							
Operating Temperature	-40~+85 °C							
Nominal Operating Cell Temperature	45±2 °C							

STC: Irradiance 1000 W/m² module temperature 25°C AM=1.5

NOCT: Irradiance 800 W/m² ambient temperature 20°C wind speed :1m/s Power measurement tolerance: +/-3%

I-V Curve



Temperature Characteristics

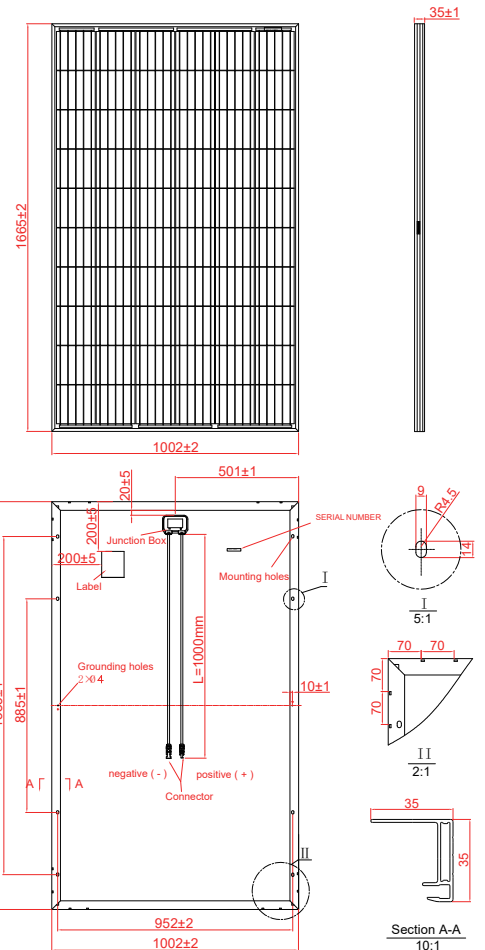
Pmax Temperature Coefficient	-0.36 %/°C
Voc Temperature Coefficient	-0.28 %/°C
Isc Temperature Coefficient	+0.05 %/°C
Operating Temperature	-40~+85 °C
Nominal Operating Cell Temperature (NOCT)	45±2 °C

Packing Configuration

	1665 x 1002 x 35mm (65.55×39.45×1.38 inch)
Container	40'GP
Pieces per Pallet	30
Pallets per Container	26
Pieces per Container	780

Mechanical Specifications

External Dimensions	1665 x 1002 x 35 mm (65.55×39.45×1.38 inch)
Weight	18.5 kg (40.82 lbs)
Solar Cells	PERC Monocrystalline (60pcs.)
Front Glass	3.2 mm AR coating tempered glass, low iron
Frame	Anodized aluminium alloy
Junction Box	IP68
Output Cables	12AWG, cable length:472.44 inch
Connector	MC4 Compatible



* All Dimensions in mm

* The above drawing is a graphical representation of the product.

Specifications are subject to change without notification SEG-DS-EN-2020V1.0 © Copyright 2020 Seraphim

SERAPHIM ENERGY GROUP, INC.